



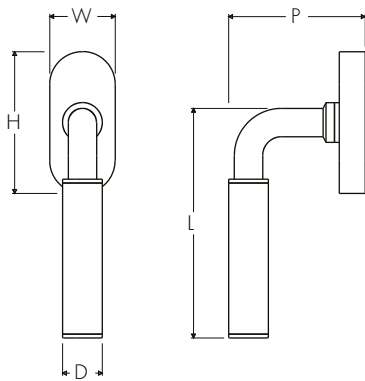
## ATELIER BONOMI

### Drehkipp per Finestra Serie Bauhaus 04 Bauhaus Series 04 Drehkipp Window Handle

#### Dimensioni Dimensions

	L	P	D	W	H
S	117	73	21	35	75
M	127	73	21	35	75
L	131	75	27	35	75

Dimensioni in millimetri  
Dimensions given in millimeters



Fornito con meccanismo DK  $\varnothing$ .7x45mm e viti M5x50.  
Disponibile in tutte le finiture standard.  
Dimensioni e finiture su misura disponibili su richiesta.  
Regularly furnished with DK mechanism  $\varnothing$ .7x45mm and M5x50 screws.  
Additional sizes available by special order. Available in standard and custom finishes.